

Retractable Handles

Plastic, Retractable Mechanism Stainless Steel, Locked in Operating Position

SPECIFICATION

Handle

Plastic, Polyamide (PA) **KT**

- Operating temperature up to 90 °C
- Black, matte finish
- Revolving

Retractable mechanism

Stainless steel

- Spindle, AISI 303
- Flat base, AISI 316LHC, sintered



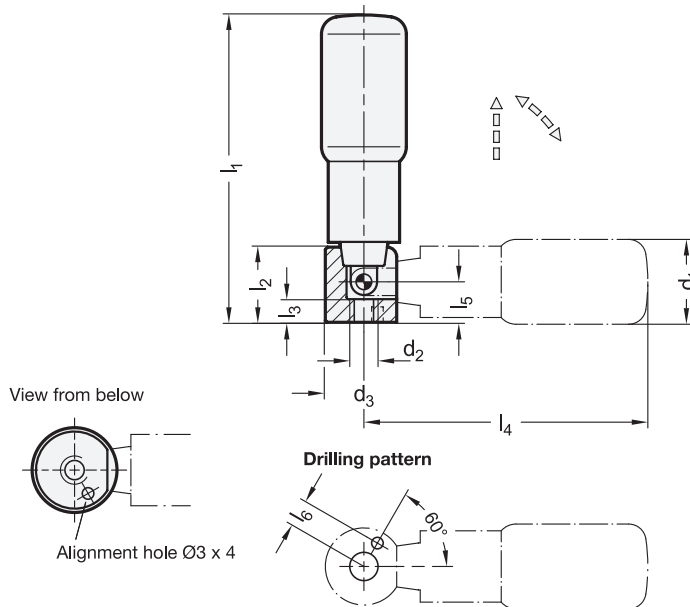
INFORMATION

Typical in design are the retractable handles GN 798.5 with their stepped shape consisting of two cylinders giving the operator a better grip, especially when pulling the handle out from its locked position before it can be folded back into the rest position.

Retractable handles GN 798.5 are used when the handle should not protrude temporarily for space or safety reasons.

TECHNICAL INFORMATION

- Plastic Characteristics (see page A2)
- Stainless Steel Characteristics (see page A26)



GN 798.5

STAINLESS STEEL

Description	d1	d2	d3	l1 ≈	l2	l3	l4 ≈	l5	l6	△
GN 798.5-KT-16	16	M 5	16	58	15	5	52.5	9.5	5	35
GN 798.5-KT-18	18	M 5	16	72.5	15	5	67	9.5	5	45
GN 798.5-KT-22	22	M 6	20	80.5	19.5	6	74	10.5	7	84
GN 798.5-KT-24	24	M 6	20	95.5	19.5	6	89	10.5	7	95
GN 798.5-KT-25	25	M 6	20	105.5	19.5	6	98.5	10.5	7	110